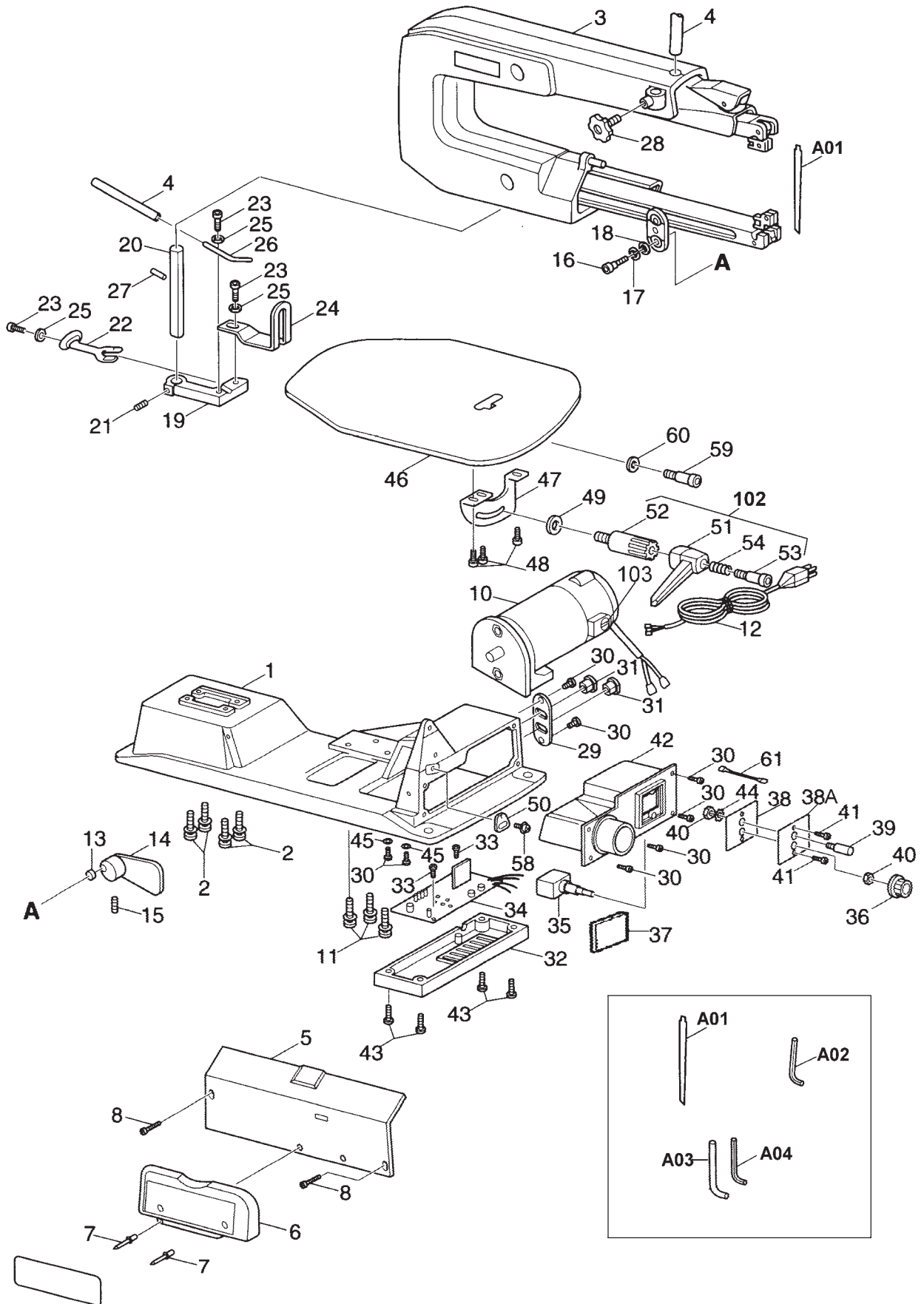
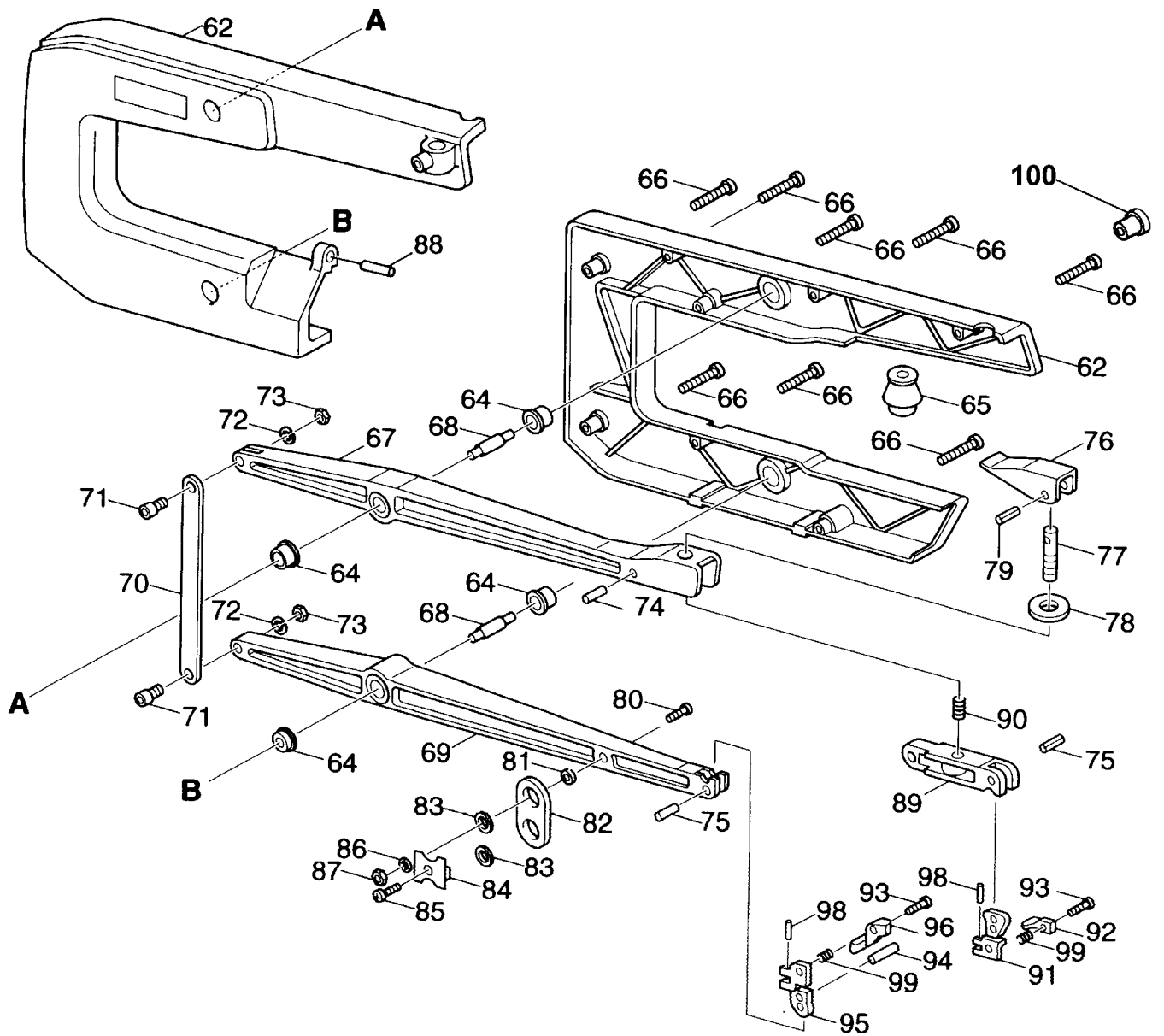




02 - 2010
SJ401
16" SCROLL SAW





Item No	Type	Ref	Ref Part No	Description	Qty	Unit
1			240051-000	BASE	1	PC.
2			020720-003	SCREW & WASHER	4	PC.
3			900567-000	BODY	1	PC.
4			303209-000	HOSE	1	PC.
5			270308-000	PLATE COVER	1	PC.
6			303202-000	BLADE STORAGE CASE	1	PC.
7			024201-001	PULL NAIL	2	PC.
8			020106-013	SCREW	2	PC.
10			990026-000	MOTOR SET	1	PC.
	1	10A	375008-000	CARBON BRUSH 2/SET	1	PC.
	2	10A	375009-000	CARBON BRUSH 2/SET	1	PC.
		10B	303000-000	BRUSH HOLDER CAP	2	PC.
	1	10C	162008-002	ARMATURE ASS'Y WITH BEARINGS	1	PC.
	2	10C	880084-000	ARMATURE ASS'Y WITH BEARINGS	1	PC.
		10D	900312-000	FIELD ASS'Y WITH MOTOR HOUSING	1	PC.
		10E	303205-000	BRUSH HOLDER	2	PC.
		10F	303204-000	MOTOR REAR COVER	1	PC.
		10G	020127-003	SCREW	2	PC.
		10H	225083-000	MOTOR FRONT COVER	1	PC.
11			020723-007	SCREW & WASHER (OLD 020723-005)	3	PC.
12			080171-000	POWER CORD	1	PC.
13			060047-000	SPACER	1	PC.
14			240042-000	COUNTERWEIGHT	1	PC.
15			020508-001	SET SCREW	1	PC.
16			020613-001	HEX SOCKET BOLT	1	PC.
17			021200-001	SPRING WASHER	1	PC.
18			021101-027	FLAT WASHER	1	PC.
19			225070-000	HOLD DOWN BLOCK	1	PC.
20			290079-000	SUPPORT ROD	1	PC.
21			020505-003	SET SCREW	1	PC.
22			270309-000	HOLD DOWN FOOT	1	PC.
23			020601-003	HEX SOCKET BOLT	3	PC.
24			270310-000	BLADE SUPPORTER & GUARD	1	PC.
25			021104-023	FLAT WASHER	3	PC.
26			290081-000	DUST BLOWER	1	PC.
27			026104-001	PIN,SPRING	1	PC.
28			303071-001	KNOB	1	PC.
29			270248-000	BUSHING SET COVER	1	PC.
30			020103-015	SCREW	8	PC.
31			913002-000	BUSHING	2	PC.
32			303203-000	BOARD COVER	1	PC.
33			020216-005	SCREW (Added)	2	PC.
34	1		900313-003	* CONTROL BOARD ASS'Y (Incl. Screw and Power Cords)	1	PC.
	2		900625-002	* CONTROL BOARD ASS'Y (Incl. Item No. 35 Type 2)	1	PC.
35	1		090033-001	* SWITCH,WASHER,NUT	1	PC.
	2		370021-000	* SWITCH,WASHER,NUT	1	PC.
36			303207-000	CONTROL KNOB	1	PC.
37			914019-000	SPONGE	1	PC.
38	1		303259-000	* SWITCH COVER	1	PC.
	2		303259-001	* SWITCH COVER	1	PC.
38A	1		863301-003	* STICKER OF SWITCH COVER	1	PC.
	2		863305-007	* STICKER OF SWITCH COVER	1	PC.
39			290080-000	* LOCK POST (OLD)	1	PC.
40	1		022301-001	NUT	1	PC.
	2		022804-000	NUT	1	PC.
41			020228-001	SCREW	2	PC.

Item No	Type	Ref	Ref Part No	Description	Qty	Unit
42			302043-000	SWITCH CASE	1	PC.
43			020200-001	SCREW	4	PC.
44			021308-001	* EXT.TOOTH WASHER (OLD)	1	PC.
45			021306-001	LOCK WASHER	2	PC.
46			224053-000	TABLE	1	PC.
47			270311-000	TILT BRACKET	1	PC.
48			020219-001	SCREW	3	PC.
49			021101-025	FLAT WASHER	1	PC.
50			270249-000	POINTER	1	PC.
51			303215-000	BEVEL LEVER (Added)	1	PC.
52			132060-000	SHAFT (Added)	1	PC.
53			132057-000	BOLT (Added)	1	PC.
54			029143-001	COMPRESSING SPRING (Added)	1	PC.
58			020726-001	PAN HEAD SCREW	1	PC.
59			020614-001	SOCKET HEAD SCREW	1	PC.
60			021402-001	WAVE WASHER	1	PC.
61			080177-000	GROUND WIRE (OLD)	1	PC.
62			900570-000	ARM COVER ASSY (R&L)	1	PC.
		INC.	225111-000	ARM COVER (RIGHT) (Old)	1	PC.
		INC.	225112-000	ARM COVER (LEFT) (Old)	1	PC.
64			053014-000	BEARING FLANGE	4	PC.
65			330026-000	AIR DIAPHRAGM	1	PC.
66			020702-001	COVER SET SCREW	8	PC.
67			224041-000	UPPER ARM	1	PC.
68			290077-000	ARM PIN	2	PC.
69			224042-000	LOWER ARM	1	PC.
70			270251-000	CONNECTOR	1	PC.
71			028935-001	SET SCREW	2	PC.
72			021202-003	SPRING WASHER	2	PC.
73			022101-001	NUT	2	PC.
74			026102-007	PIN	1	PC.
75			026103-015	ROLL PIN	2	PC.
76			225069-000	BLADE TENSION LEVER	1	PC.
77			290078-000	TENSION ADJUSTING BOLT	1	PC.
78			021100-011	FLAT WASHER	1	PC.
79			026104-009	PIN	1	PC.
80			020600-001	HEX SOCKET BOLT	1	PC.
81			060052-000	SPACER	1	PC.
82			303201-000	LINK,ARM	1	PC.
83			050012-000	BEARING	2	PC.
84			270252-000	BEARING FENCE	1	PC.
85			020200-015	SCREW (OLD 020200-005)	1	PC.
86			021101-027	FLAT WASHER	1	PC.
87			022101-001	NUT	2	PC.
88			026202-007	PIN	1	PC.
89			225073-000	BLADE SUPPORT	1	PC.
90			029141-001	SPRING	1	PC.
91			250005-000	UPPER BLADE HOLDER	1	PC.
92			250006-000	UPPER BLADE NUT	1	PC.
93			020608-003	HEX SOCKET BOLT	2	PC.
94			026103-015	ROLL PIN	2	PC.
95			250003-000	LOWER BLADE HOLDER	1	PC.
96			250004-000	LOWER BLADE NUT	1	PC.
97			026107-001	PIN	2	PC.
98			029144-001	COMPRESSING SPRING	2	PC.
99			330029-000	ARM COVER RUBBER CUP	4	PC.

Item No	Type	Ref	Ref Part No	Description	Qty	Unit
101			090042-000	* SWITCH	1	PC.
102			900403-000	LOCK HANDLE ASS'Y	1	PC.
		INC.		Item No. 51 - 54		
<u>ACCESSPROES</u>		- See catalogue or visit www.makita.ca for more optional accessories -				
A01			722100-A	SCROLL SAW BLADE PINEND 18.5TPI	1	PC.
			722101-A	SCROLL SAW BLADE PINEND 15.0TPI - N/L/A	1	PC.
			722102-A	SCROLL SAW BLADE PINEND 12.5TPI	1	PC.
			722103-A	SCROLL SAW BLADE PINEND 11.5TPI	1	PC.
			351011-000	SCROLL SAW BLADE	1	PC.
A02			040005-003	HEX WRENCH "L" M3	1	PC.
A03			040026-001	BLADE CHANGING ROD	1	PC.
A04			040006-001	HEX WRENCH "L" M4	1	PC.

SERVICE CHANGES

1. Changes on Control Board Assy, Switch, etc.

Item No.	Description	Type 1	Type 2
34	CONTROL BOARD ASS'Y	900313-003	900625-002
35	SWITCH,WASHER,NUT	090033-001	370021-000
38	SWITCH COVER	303259-000	303259-001
38A	STICKER OF SWITCH COVER	863301-003	863305-007
39	LOCK POST (OLD)	290080-000	----
44	EXT.TOOTH WASHER (OLD)	021308-001	----
101	SWITCH	090042-000	

Diagram Change

